

# NEW S300 dental unit line

GNATUS

## UNLOCK NEW HORIZONS

Experience the enhanced features of the S300, designed to elevate your workflow to new levels of efficiency and excellence.



## FEATURES

- 1 Bi-articulated headrest
- 2 90° foldable armrest
- 3 15 upholstery colour options
- 4 Joystick foot-control pedal
- 5 Anti-skid edging
- 6 No floor mounting required
- 7 Delivery unit with up to 5 terminals. [Standard: 4 terminals]
- 8 Instrument support tray (version S301H)/ Stainless steel top tray (version S301)
- 9 Retractable rods with lock (version S301H)
- 10 Delivery unit with pneumatic arm
- 11 90° rotatable water unit, with cup holder, and proximity sensor
- 12 Assistant arm with control pad
- 13 Dental light: Sirius 3 LEDs with proximity sensor
- 14 Unit assembly for left-handed dentists possible
- 15 Massage system (optional)



Illustrative image.

## GNATUS COLOURS

### PVC (Standard):



### Leather (Optional):



### PVC: \*



### Leather: \*



\* Offered at an additional cost and lead time.

# STANDARD ITEMS

## 3 LED Dental Light with Proximity Sensor

- Convenient proximity sensor enables activation and control of light intensity.
- Three intensity levels: 10,000, 20,000, and 30,000 LUX.
- LED lighting technology: ensures energy efficiency and durability.
- Cold light source: prevents heat generation for patient comfort.
- Rectangular spotlight design provides ample illumination for a broader work area.
- Ergonomically designed for easy handling and comfort during procedures.
- Bilateral, autoclavable, loop handles offer isolation - for optimal hygiene.
- Features a removable front encasement for added protection.



## COMPARE THE VERSIONS



	S301	S301H
<b>Dental Chair</b>	Bi-articulated headrest Foldable armrest	Bi-articulated headrest Foldable armrest
<b>Delivery Unit</b>	Air - G3 version	Hasteflex - G3 version
<b>Delivery Unit's Accessories</b>	Stainless steel top tray Control pad with X-ray viewer	Lower tray Control pad with X-ray viewer
<b>Delivery Unit's Terminals</b>	Triple syringe 2 high-speed terminals (Borden/Midwest) 1 low-speed terminal (Borden/Midwest)	Triple syringe 2 high-speed terminals (Borden/Midwest) 1 low-speed terminal (Borden/Midwest)
<b>Water Unit's Accessories</b>	Removable ceramic basin Assistant arm with control pad Cup holder Proximity sensor	Removable ceramic basin Assistant arm with control pad Cup holder Proximity sensor
<b>Water Unit's Terminals</b>	Venturi suction terminal 11mm vacuum pump suction terminal	Venturi suction terminal 11mm vacuum pump suction terminal
<b>Dental Light</b>	Sirius 3 LEDs	Sirius 3 LEDs



**Assistant arm with control pad**



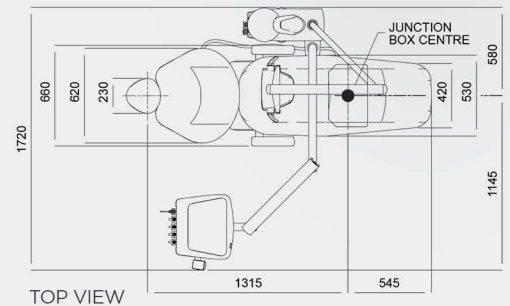
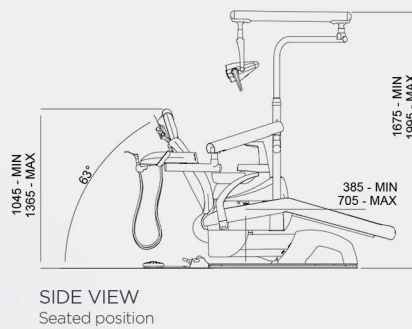
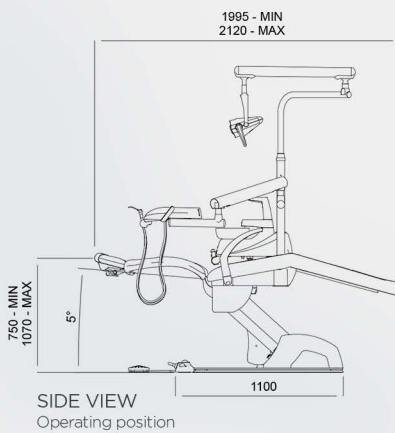
**Control pad with X-ray viewer**

- Seat movements
- Backrest adjustments
- Back-to-zero positioning
- Working positions
- Dental light



**Cup holder with proximity sensor**

## DIMENSIONS



Gnatus.net

Contact: sales@alliage-international.com



Gnatus is a member of the Alliage group.